

PIPE SUPPORT SYSTEMS FOR USE WITH COPPER & STAINLESS STEEL TUBE



MM Kembla's range of high quality pipe clamps, base plates and hammerhead bolts for use with copper, steel and stainless steel tube and backed by MM Kembla's renowned quality, reliability & service.

MM Kembla bossed pipe clamps are available in sizes from 12mm up to 159mm suitable for standard copper tube and stainless steel tube sizes, zinc plated EPDM rubber lined or 316Ti stainless steel EPDM rubber lined and unlined options to suit your application.

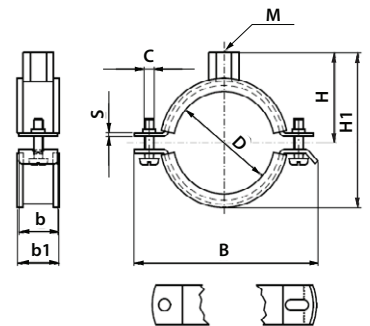
PRODUCT RANGE

- Rubber Lined Zinc Plated Pipe Clamps with M8/M10 Combi Boss
- Rubber Lined 316Ti Stainless Steel Pipe Clamps with M10 Boss
- Unlined 316Ti Stainless Steel Pipe Clamps with M10 Boss
- Zinc Plated Base Plates with M8/M10 thread
- 316Ti Stainless Steel Base Plates with M10 thread
- Galvanised Hammerhead Bolts with M10 threaded stud for use with pipe clamps and channel struts

RUBBER LINED ZINC PLATED PIPE CLAMPS

- Suitability: Copper, Steel & Stainless Steel Tube
- EPDM Rubber Temperature: -45°C to +120°C
- EPDM Rubber Acoustic Rating: DIN 4109

Item Code [mm]	Grip Range [mm]	b x s [mm]	Boss (M)	Screw	B [mm]	D [mm]	H 1 [mm]	H [mm]	Max. rated load [N]	Qty/ Carton
897070	12-16	20x1.2	M8/M10	M6 x 15	57	16	41	28	400	150
897071	15-19	20x1.2	M8/M10	M6 x 15	60	19	44	30	400	150
897072	20-24	20x1.2	M8/M10	M6 x 15	65	24	49	32	400	100
897073	23-28	20x1.2	M8/M10	M6 x 20	69	28	53	34	400	100
897074	31-36	20x1.2	M8/M10	M6 x 20	77	36	61	38	400	75
897075	38-44	20x1.2	M8/M10	M6 x 20	85	44	69	42	400	50
897076	50-56	20x1.2	M8/M10	M6 x 20	97	56	81	48	400	50
897077	59-65	20x1.2	M8/M10	M6 x 20	106	65	90	53	400	50
897078	74-80	25x1.5	M8/M10	M6 x 25	123	80	111	65	600	50
897079	96-106	25x2	M8/M10	M8 x 30	160	106	138	79	1000	25
897080	108-118	25x2	M8/M10	M8 x 30	172	118	150	85	1000	25
897081	122-132	25x2	M8/M10	M8 x 30	186	132	164	92	1000	25
897082	149-159	25x2	M8/M10	M8 x 30	212	159	191	106	1000	25

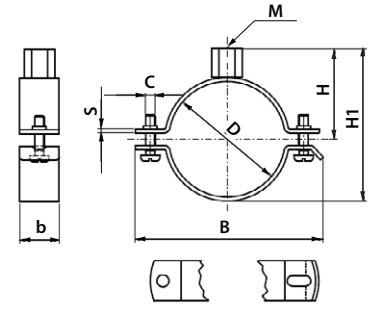


Pipe Supports

UNLINED 316Ti STAINLESS STEEL PIPE CLAMPS

- Suitability: Stainless Steel Tube

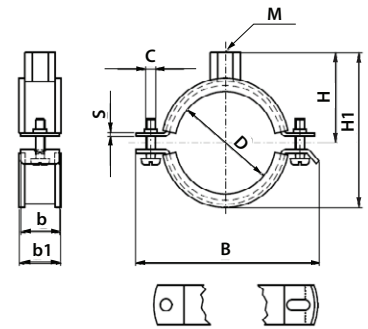
Item Code [mm]	Grip Range [mm]	b x s [mm]	Boss (M)	Screw	B [mm]	D [mm]	H 1 [mm]	H [mm]	Max. rated load [N]	Qty/ Carton
897090	15-19	20 x 1.5	M10	M6 x 20	61	19	41	37	1000	100
897091	21-23	20 x 1.5	M10	M6 x 20	65	23	45	41	1000	100
897092	23-29	20 x 1.5	M10	M6 x 20	70	28	50	46	1000	100
897093	32-35	20 x 1.5	M10	M6 x 20	77	35	57	53	1000	100
897094	40-46	20 x 1.5	M10	M6 x 25	87	45	67	63	1000	100
897095	48-56	20 x 1.5	M10	M6 x 25	94	52	74	70	1000	50
897096	74-80	23 x 2	M10	M6 x 25	119	77	99	95	1000	50
897097	108-114	23 x 2	M10	M8 x 35	164	114	138	133	1500	25



RUBBER LINED 316Ti STAINLESS STEEL PIPE CLAMPS

- Suitability: Copper, Steel & Stainless Steel Tube
- EPDM Rubber Temperature: -45°C to +120°C
- EPDM Rubber Acoustic Rating: DIN 4109

Item Code [mm]	Grip Range [mm]	b x s [mm]	Boss (M)	Screw	B [mm]	D [mm]	H 1 [mm]	H [mm]	Max. rated load [N]	Qty/ Carton
897100	15-19	20 x 1.5	M10	M6 x 20	66	19	49	41	1000	100
897101	21-23	20 x 1.5	M10	M6 x 20	72	25	55	47	1000	100
897102	25-29	20 x 1.5	M10	M6 x 20	76	29	59	51	1000	100
897103	32-35	20 x 1.5	M10	M6 x 20	83	36	66	58	1000	100
897104	40-46	20 x 1.5	M10	M6 x 25	93	46	76	68	1000	100
897105	48-56	20 x 1.5	M10	M6 x 25	103	56	86	78	1000	50
897106	74-80	23 x 2	M10	M6 x 25	135	80	112	103	1000	50
897107	108-114	23 x 2	M10	M8 x 35	169	114	146	137	1500	25



ZINC PLATED BASE PLATES

- Suitability: M8/M10 Threaded Rod

Item Code	Size [mm]	Boss [mm]	Qty/ Carton
897215	80 x 30 x 3	M8/M10	100



316Ti STAINLESS STEEL BASE PLATES

Item Code	Size [mm]	Boss [mm]	Qty/ Carton
897115	80 x 30 x 3	M10	100



HAMMERHEAD BOLTS

Galvanised pre-assembled hammerhead bolts with M10 threaded stud for use with pipe clamps and to suit all channel struts.

- Fast installation
- High level of channel grip
- Ideal for horizontal and vertical movement control

Item Code	Thread [mm]	Boss [M]	H1 [mm]	H [mm]	B [mm]	A [mm]	Qty/ Carton
897110	M10 x 35	M10	24.5	35	20	5	100

